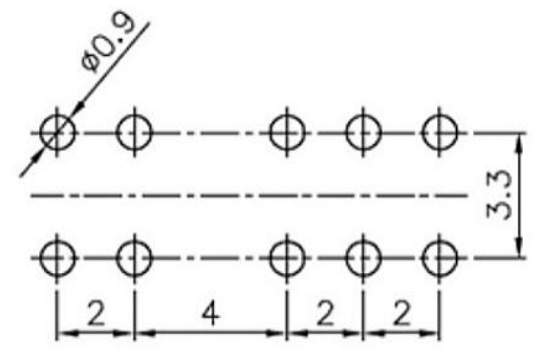
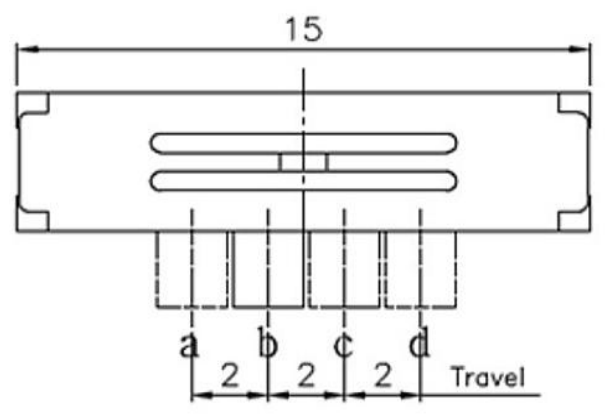
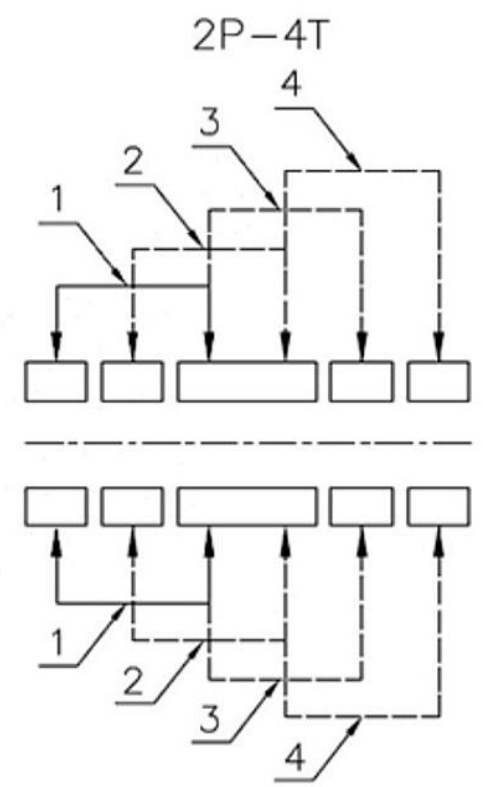


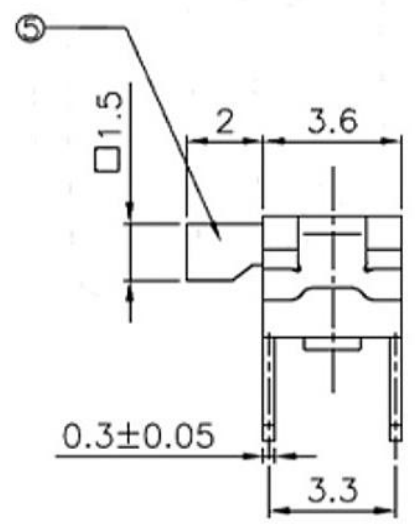
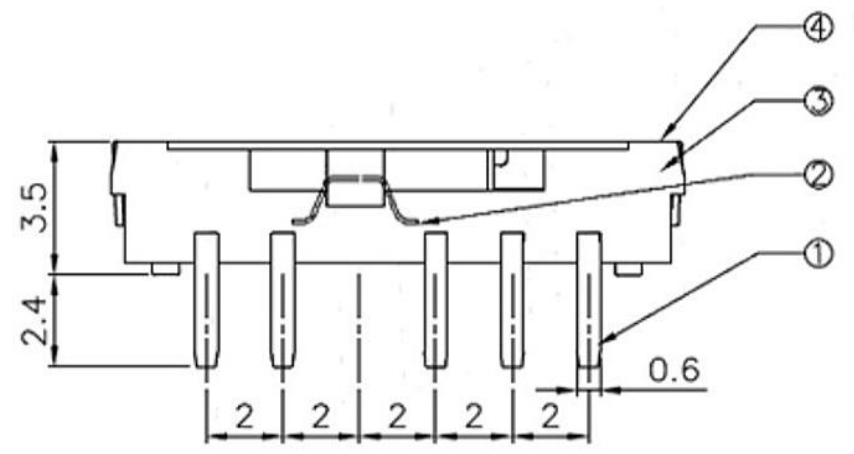
CAD FILE:



P.C.B layout



Schematic(Shorting)



注: "*"表示关键尺寸(6个)

| | | | | | | | | | | |
|-----|--------------|----------------|------|-----------|------------------------------------------------------------|-------|------------|--------------------------|------------|------------|
| 8 | | | | | TOLERANCE | | | | | |
| 7 | STEEL BALL | STEEL | 1 | NATURAL | UNLESS SPECIFIED | | | | | |
| 6 | SPRING | STEEL WIRE | 1 | NATURAL | WITHIN | A | 2012-10-26 | 初版 | | |
| 5 | CONTACT CLIP | PBS STRIP | 2 | Ag PLATED | OVER | ISSUE | DATE | DESCRIPTIONS OF REVISION | | |
| 4 | TERMINAL | BRASS STRIP | 8 | Ag PLATED | TITLE : SLIDE SWITCH | | | UNIT : mm | DRWG NO.: | |
| 3 | BASE | PHENOLIC RESIN | 1 | NATURAL | MODEL: | | | SCALE: 3:1 | DWN. | 2012-10-26 |
| 2 | FRAME | STEEL STRIP | 1 | Ni PLATED | 东莞市高迪电子有限公司 DONGGUAN GAODI ELECTRONICS CO., LTD. | | | APPD. | 2012-10-26 | |
| 1 | KNOB | POM | 1 | BLACK | | | | APPD. | | |
| NO. | PARTS | MATERIALS | Q'TY | FINISH | | | | | | |